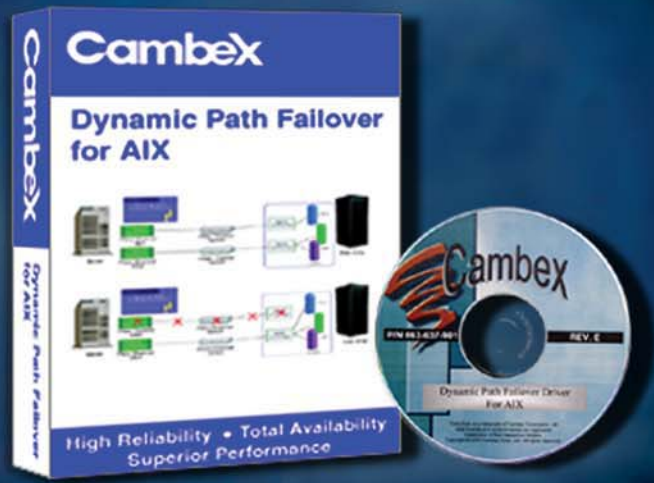




**High Reliability
Proven Experience
Exceptional Value**



Dynamic Path Failover™ Software

S
T
H
I
G
I
T
H
I
G
H

- ❖ **Superior Availability and Performance for Mission-Critical IBM AIX Environments**
- ❖ **100% Data Availability upon the Failure of Any Component in the Storage Path**
- ❖ **Supports Dual Active Data Paths Effectively Doubling Storage Bandwidth**
- ❖ **Data Path Failure and Recovery Operations are Transparent to Host Applications**
- ❖ **Compatible with Cambex and IBM Fibre Channel HBAs**

The Cambex Availability Edge

Cambex's host-based Dynamic Path Failover (DPF) software provides an application transparent mechanism for implementing fault-resilient storage applications in IBM AIX environments. When used with industry leading RAID arrays and two host bus adapters (HBAs) per server, DPF eliminates all single points-of-failure from the server to the storage subsystem. The software provides full data availability in the event of an HBA, cable, switch, RAID controller or other storage path failure. Data path failovers and subsequent recoveries when the path is restored are fully automatic and transparent to the host. DPF's storage path management consists of an independent software layer that isolates and protects the multipathing software from conflicts with file systems, volume managers or adapter drivers.

High Availability and Double the Performance

Unlike most other host-based failover implementations, Cambex's DPF operates in Active - Active mode to provide the highest possible storage performance. When configured with a pair of 2Gb Fibre Channel HBAs, DPF can effectively double the storage-to-server data bandwidth to 800 MB/s in full-duplex operation. Enhanced SCSI protocol support increases SCSI command queue depths to further optimize performance.

Superior Compatibility and Ease of Use

DPF runs on all IBM pSeries and RS/6000 machines and is fully compatible with all versions of the IBM AIX operating system currently supported by IBM. It can utilize both Cambex and IBM Fibre Channel HBAs giving the user total flexibility when purchasing Fibre Channel adapters.

Using standard AIX tools, DPF software is easy to install and use requiring no external consulting or training. The intelligent auto-discovery feature identifies all current storage paths upon installation and setup, avoiding any error-prone click-and-drag configuration requirements. Detailed information on storage paths and their status is fully integrated with and displayed at the storage management console or user interface. Load balancing parameters for critical LUN paths are easily configured and changed for reliable, predictable application performance.

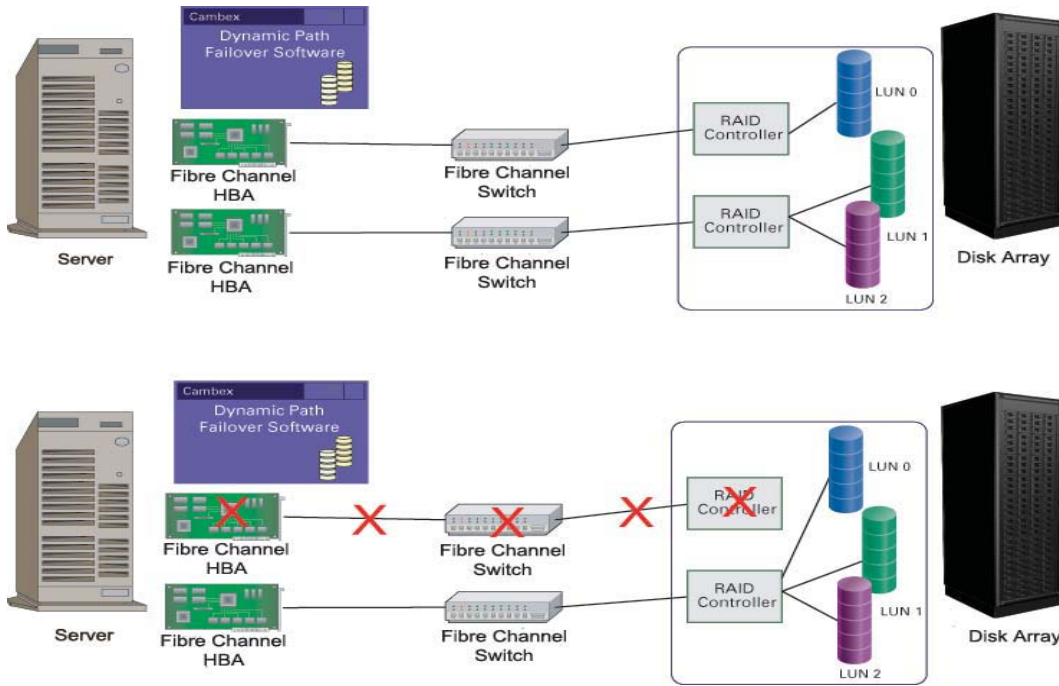
Sales

Voice: (800) 325-5565
Fax: (508) 281-0214
E-Mail: sales@cambex.com
www.cambex.com

Corporate Headquarters

Cambex Corporation
337 Turnpike Road
Southborough, MA 01772

Dual Active Data Paths for Highest Availability and Performance...



Path Failures are Automatically Detected and Bypassed Resulting in Uninterrupted Access to All of the Storage

S P E C I F I C A T I O N S

- Server Support: All IBM pSeries and RS/6000 servers running AIX
- Operating System Support: IBM AIX 5.1, 5.2, and 5.3 including LPAR support
- HBA Support: IBM FCS 1GB, 2GB and 4GB Fibre Channel HBAs
Cambex FibreQuik PC4000, PC2000, and PC1000 Fibre Channel HBAs
- Storage Support*: HP StorageWorks EVA, and HSG80 arrays
StorageTek D-Series and Flexline arrays
Fujitsu Eternus and GR series arrays
Silicon Graphics InfiniteStorage arrays
Infotrend EonStor arrays
Xitech Magnitude arrays
- Cluster Support: HACMP 5.1

* Contact Cambex for supported models



- ❖ *For over 3 decades, Cambex has supplied the storage industry with advanced hardware and software products.*
- ❖ *Cambex engineers have developed high-availability hardware and software storage solutions for over ten years.*
- ❖ *Service and support are the hallmarks of the Cambex commitment to enterprise-class customer satisfaction and 24/7 availability.*

Sales

Voice: (800) 325-5565
Fax: (508) 281-0214
E-Mail: sales@Cambex.com
www.Cambex.com

Corporate Headquarters

Cambex Corporation
337 Turnpike Rd
Southborough, MA 01772
Tel: (508) 281-0209